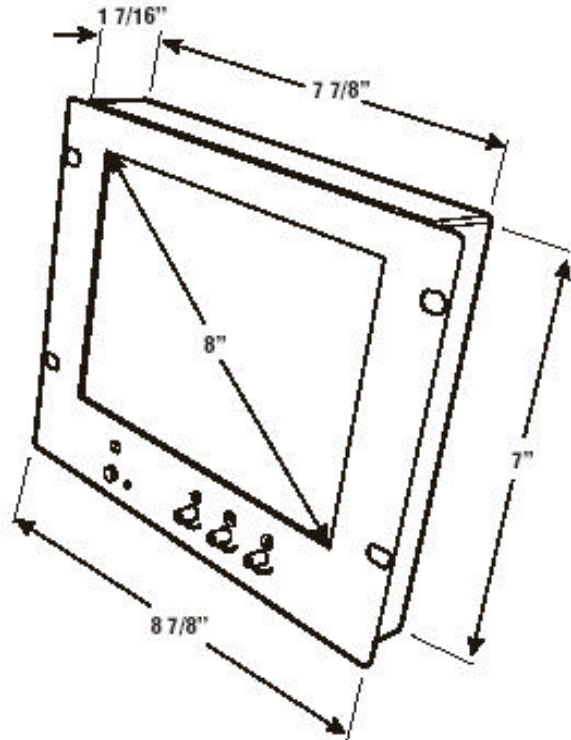


# LCDRM8

# TECHNICAL SPECIFICATIONS



## SPECIFICATIONS

DISPLAY: 8" Color TFT-LCD Active Matrix Monitor  
INPUT SIGNAL: NTSC/PAL/Auto switching  
RESOLUTION: 1440 x 234  
BACK LIGHT: CCFT  
BRIGHTNESS RATING: 300 NITS  
CONTRAST RATIO: 250:1  
VIEWING ANGLE (L/R/T/B): 55°/55°/45°/-35°(V)  
POWER REQUIREMENTS: 12VDC @ 750mA  
VIDEO INPUT LEVEL: 1.0V p-p (Positive) 75 Ohm  
DIMENSIONS (HxWxD): 7" x 7 7/8" x 1 7/16"  
MONITOR MOUNTING: Flange mount  
OPERATING TEMPERATURE: 0° - 60°C  
STORAGE TEMPERATURE: -20° - 80°C

## FEATURES

METAL HOUSED  
VIDEO IN/OUT  
BNC CONNECTORS

Miller Technologies  
109 Fairytale Lane  
Surf City, NC 28445

**Miller  
Technologies**

Pho: (910) 328-2829  
Fax: (910) 328-5494  
Email: [info@millertech.com](mailto:info@millertech.com)

[www.millertech.com](http://www.millertech.com)