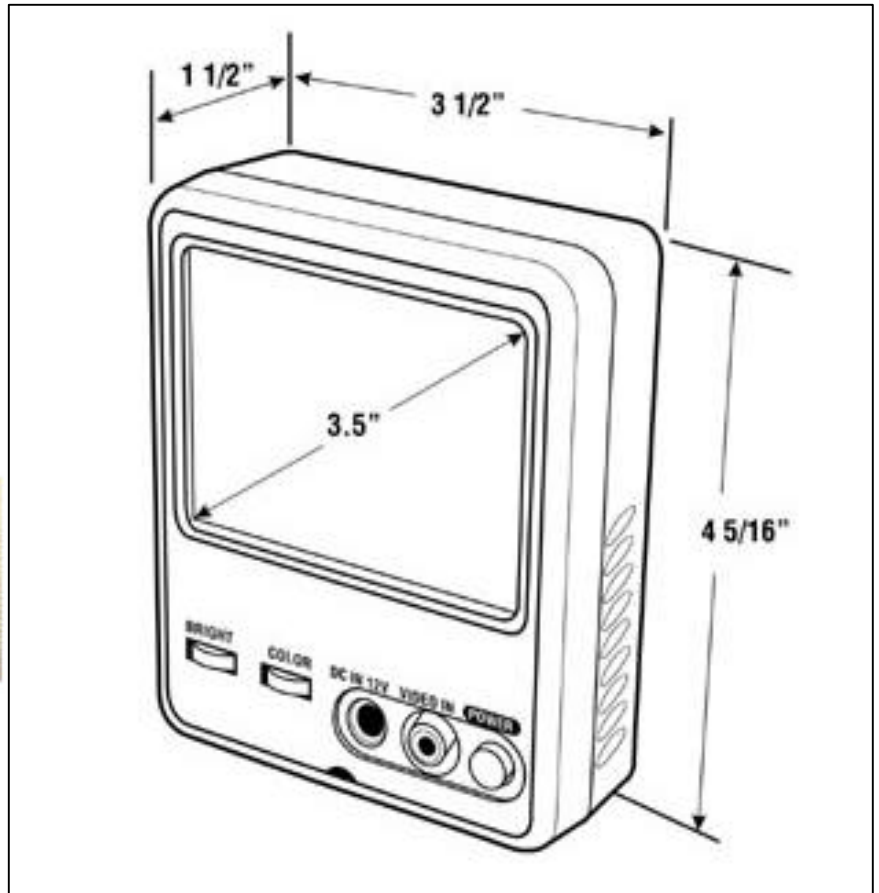


LCDPB35

3.5" LCD COLOR HANDHELD MONITOR



TECHNICAL SPECIFICATIONS



FEATURES

- OPERATES ON NINE (9) AA BATTERIES
- POWER OUTPUT FOR CAMERA

SPECIFICATIONS

DISPLAY:	3.5" Color TFT-LCD
INPUT SIGNAL:	NTSC
DOT FORMAT:	480 x 234
BACKLIGHT:	CCFL
LAMP LIFE:	10,000 Hrs.
BRIGHTNESS RATING:	200 NIT
CONTRAST RATIO:	150:1
VIEWING ANGLE (L/R/T/B):	45°/45°/10°/30°
POWER REQUIREMENTS:	12VDC @ 350 MA
DIMENSIONS (HxWxD):	4 5/16" x 3 1/2" x 1 1/2"
OPERATING TEMPERATURE:	0° ~ 60°C
STORAGE TEMPERATURE:	-25° ~ 80°C

**Specifications subject to change without notice*

Miller Technologies
109 Fairytale Lane
Surf City, NC 28445

**Miller
Technologies**

www.millertech.com

Pho: (910) 328-2829
Fax: (910) 328-5494
Email: info@millertech.com