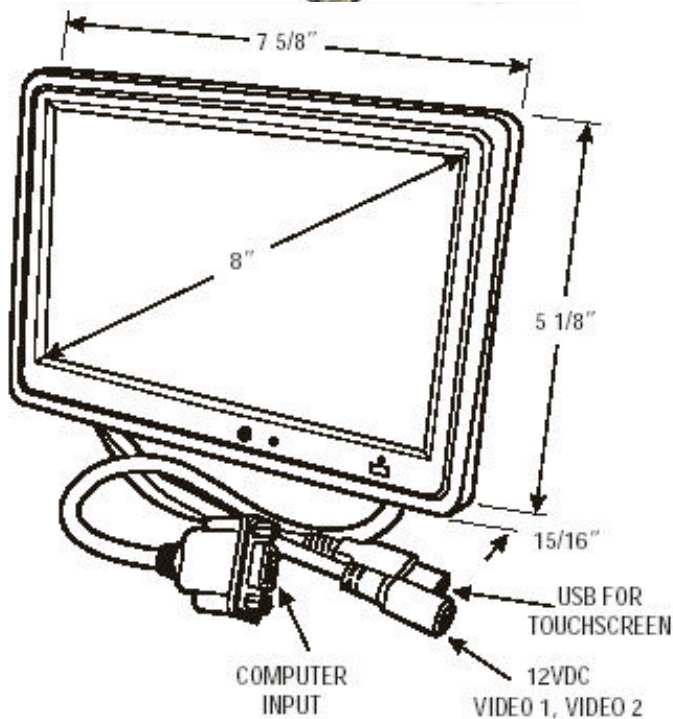


LCDP8WVGATS

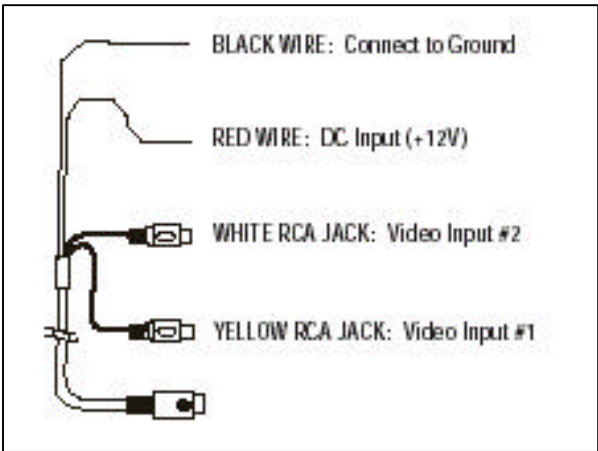
TECHNICAL SPECIFICATIONS

8" Widescreen Color TFT LCD Touch Screen Monitor



SPECIFICATIONS	
DISPLAY:	8" Color TFT LCD Widescreen Monitor
ASPECT RATIO:	16:9
BACK LIGHT:	CCFL
RESOLUTION:	800 x 480
DOT PITCH:	0.107(H) x 0.372(V)
VIEWING ANGLE (L/R/T/B):	50°/50°/50°/50°
BRIGHTNESS RATING:	350 NIT
NUMBER OF PIXELS:	480,000
VIDEO INPUT LEVEL:	Composite 1V p-p (75 Ohms)
INPUT SIGNAL:	NTSC, PAL, Computer
POWER SOURCE:	12VDC (+/- 15%) @ 950 mA
OPERATING TEMPERATURE:	0° - 50°C (+32° ~ +122°F)
STORAGE TEMPERATURE:	-20° - 80°C (-22° ~ +140°F)
DIMENSIONS (HxWxD):	5 1/8" x 7 5/8" x 15/16"
NET WEIGHT:	670 Grams

FEATURES	
• 8" TFT LCD PANEL	• 2 VIDEO INPUTS
• USB TOUCH SCREEN	• VGA, SVGA INPUT
• ON SCREEN DISPLAY (OSD)	• REMOTE CONTROL



NOTE: Specifications subject to change without notice.

Miller Technologies
109 Fairytale Lane
Surf City, NC 28445



www.millertech.com

Tel: (910) 328-2829
Fax: (910) 328-5494
Email: info@millertech.com