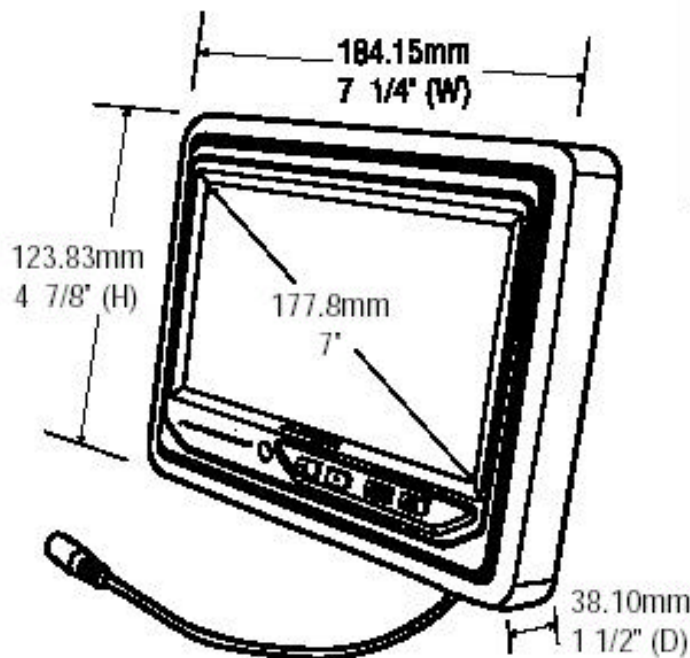


LCDP7W

TECHNICAL SPECIFICATIONS

7" TFT COLOR LCD MONITOR



SPECIFICATIONS

DISPLAY:	7" wide Screen TFT-LCD
BACK LIGHT:	2CCFT
DOT FORMAT:	1440 x 234
DOT PITCH:	0.107(H) x 0.372(V)
VIEWING ANGLE:	L/R/T/B 65°/65°/40°/65°
COLOR CONFIGURATION:	RGB Delta
BRIGHTNESS RATING:	300 cd/m ²
NUMBER OF PIXELS:	336,960
VIDEO INPUT LEVEL:	Composite 1V p-p (75 ohms)
VIDEO INPUT SYSTEMS:	NTSC/PAL Auto Switching
AUDIO INPUT LEVEL:	350mV RMS
AUDIO OUTPUT:	0.5W*2 @ 8Ω
POWER SOURCE:	DC 12V +/- 15%
POWER CONSUMPTION:	750mA
OPERATION TEMPERATURE:	0°C - +50°C (+32°F - +122°F)
STORAGE TEMPERATURE:	-30°C - +60°C (-22°F - +140°F)
DIMENSIONS:	123.83(H) x 184.15(W) x 38.10(D) mm
NET WEIGHT:	570 Grams

FEATURES

- ON SCREEN DISPLAY CONTROL
- REMOTE CONTROL
- 16:9 WIDE SCREEN TFT-LCD PANEL
- MIRROR IMAGE / IMAGE FLIP

Miller Technologies
109 Fairytale Lane
Surf City, NC 28445

Miller
Technologies

www.millertech.com

Pho: (910) 328-2829
Fax: (910) 328-5494
Email: info@millertech.com