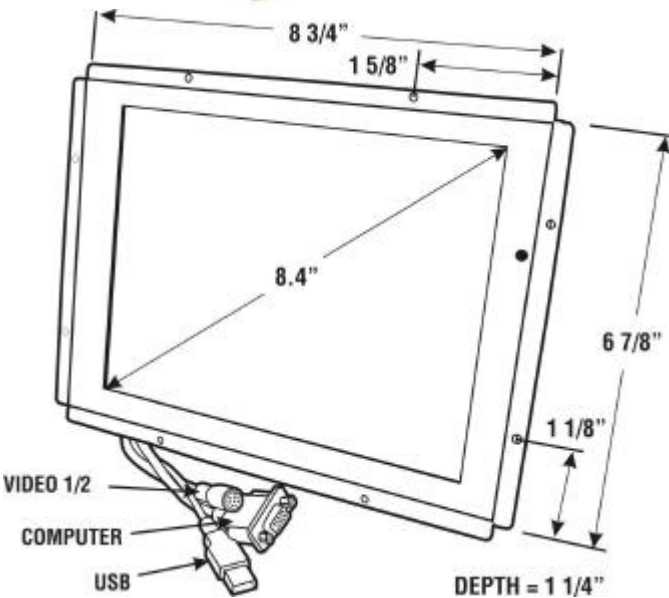


LCDM84VGA & LCDM84VGATS

TECHNICAL SPECIFICATIONS

8.4" TFT LCD Monitor with Optional Touch Screen

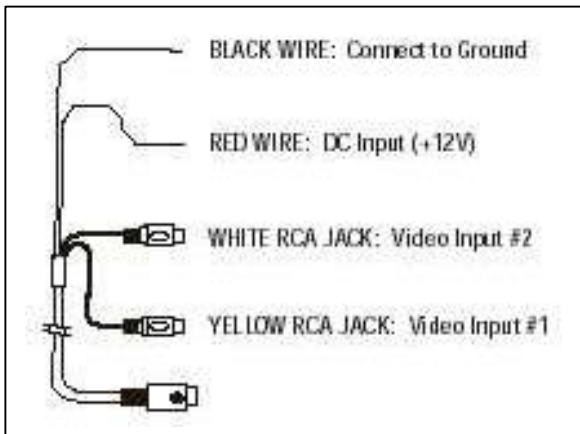


SPECIFICATIONS

DISPLAY:	8.4" Color TFT LCD
ASPECT RATIO:	4:3
INPUT SIGNAL:	Composite/Computer
RESOLUTION:	800 x 600
BACK LIGHT:	CCFT
BACKLIGHT LIFE:	40,000 Hrs.
BRIGHTNESS RATING:	550 NIT (TS: 440 NIT)
CONTRAST RATIO:	200:1
VIEWING ANGLE (L/R/T/B):	65°/65°/40°/40°
POWER REQUIREMENTS:	12VDC @ 1 Amp
VIDEO INPUT LEVEL:	Composite 1V p-p (75 Ohms)
DIMENSIONS (HxWxD):	6 7/8" x 8 3/4" x 1 1/4"
MONITOR MOUNTING:	Flange
OPERATING TEMPERATURE:	0° ~ 60°C (32°~140°F)
STORAGE TEMPERATURE:	-20° ~ 80°C (-4° ~ 176°F)

FEATURES

- IR REMOTE (OSD)
- 2 VIDEO INPUTS
- COMPUTER INPUT
- TS=TOUCH SCREEN



NOTE: Specifications subject to change without notice.

Miller Technologies
109 Fairytale Lane
Surf City, NC 28445



www.millertech.com

Tel: (910) 328-2829
Fax: (910) 328-5494
Email: info@millertech.com