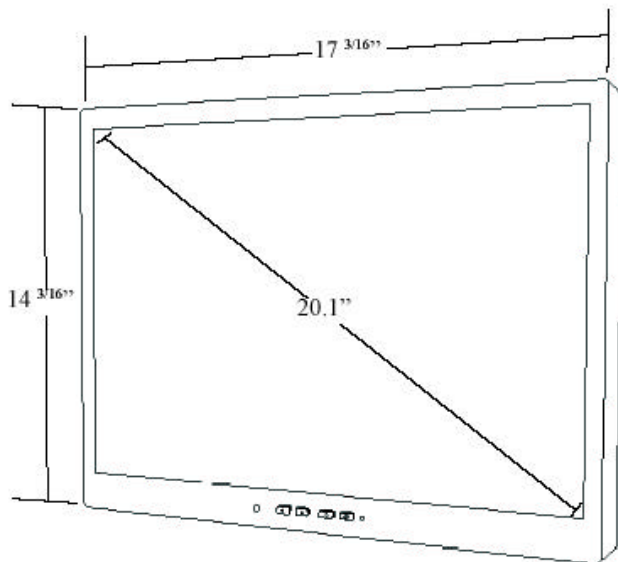


LCDM20HD

TECHNICAL SPECIFICATION

20" HIGH RESOLUTION METAL FRAMED LCD MONITOR



SPECIFICATIONS	
DISPLAY:	20.1" TFT LCD Color Monitor
INPUT SIGNAL:	NTSC/PAL, Computer, DVI, S-Video
RESOLUTION:	1600 x 1200 UXGA
BACK LIGHT:	CCFL
LAMP LIFE:	30,000 Hrs.
BRIGHTNESS RATING:	250 NIT
CONTRAST RATIO:	700:1
VIEWING ANGLE (L/R/T/B):	178°(H) x 178°(V)
POWER REQUIREMENTS:	19VDC @ 3.9 Amp
DIMENSIONS (HxWxD):	14 3/16" x 17 3/16" x 2 3/8"
MONITOR MOUNTING:	VESA & TILT MOUNT (INCL.)
OPERATING TEMPERATURE:	0°C ~ +40°C (+32°F ~ 104°F)
STORAGE TEMPERATURE:	-20°C ~ +60°C (-4°F ~ +140°F)
WEIGHT:	11.75 LBS.

FEATURES	
• IR REMOTE (OSD)	• VGA COMPUTER INPUT
• 4 VIDEO INPUTS	



LCDM20HD MOUNT

Miller Technologies
109 Fairytale Lane
Surf City, NC 28445



www.millertech.com

Pho: (910) 328-2829
Fax: (910) 328-5494
Email: info@millertech.com