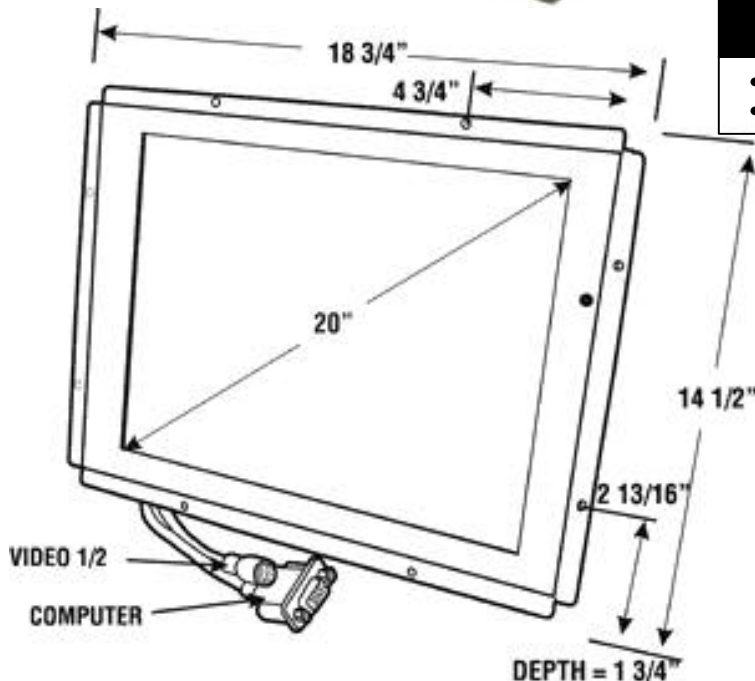


LCDM20

TECHNICAL SPECIFICATION

20" METAL FRAMED LCD MONITOR MODULE

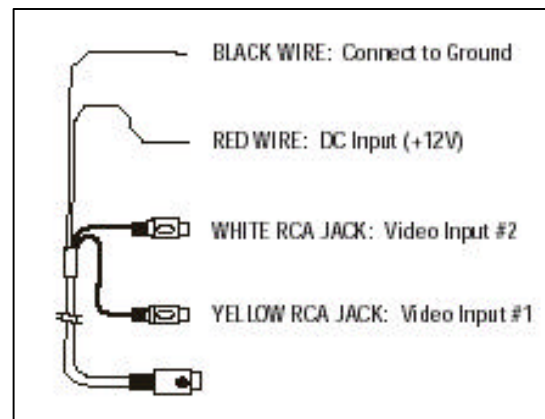


SPECIFICATIONS

DISPLAY:	20" TFT LCD Color Monitor
INPUT SIGNAL:	Video Composite/Computer
RESOLUTION:	640 x 480
BACK LIGHT:	25,000 Hrs.
BRIGHTNESS RATING:	300 NIT
CONTRAST RATIO:	200:1
VIEWING ANGLE (L/R/T/B):	80°/80°/80°/80°
POWER REQUIREMENTS:	12VDC @ 3.9 Amp
VIDEO INPUT LEVEL:	Composite 1V p-p (75 Ohm)
DIMENSIONS (HxWxD):	14 1/2" x 18 3/4" x 1 3/4"
MONITOR MOUNTING:	Flange
OPERATING TEMPERATURE:	0°C ~ +60°C (+32°F ~ 140°F)
STORAGE TEMPERATURE:	-20°C ~ +80°C (-4°F ~ +176°F)

FEATURES

- IR REMOTE (OSD)
- 2 VIDEO INPUTS
- VGA COMPUTER INPUT



Miller Technologies
109 Fairytale Lane
Surf City, NC 28445

Miller
Technologies

www.millertech.com

Pho: (910) 328-2829
Fax: (910) 328-5494
Email: info@millertech.com