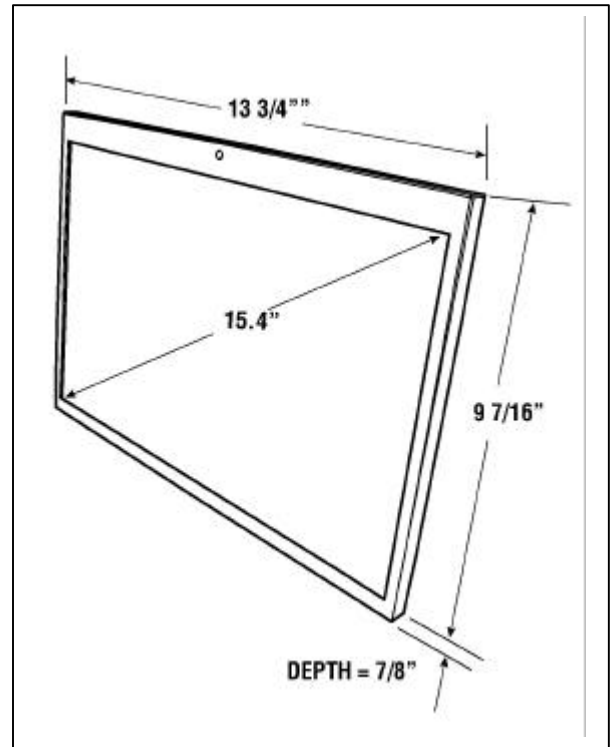


LCDM154VGA

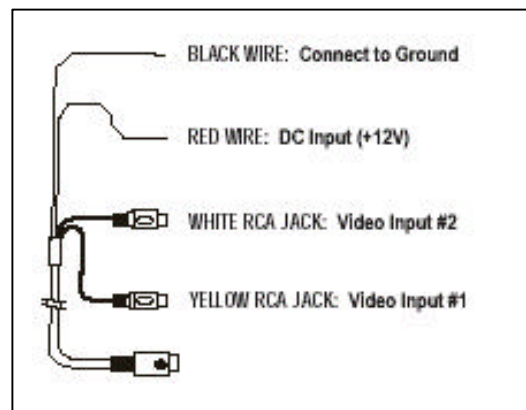
TECHNICAL SPECIFICATIONS

15.4" Metal Framed LCD Monitor



SPECIFICATIONS

DISPLAY:	15.4" Color TFT LCD
INPUT SIGNAL:	NTSC/PAL/Computer
RESOLUTION:	1280 x 800
BACK LIGHT:	CCFT
LAMP LIFE:	25,000 Hrs.
BRIGHTNESS RATING:	220 NIT
CONTRAST RATIO:	400:1
VIEWING ANGLE (L/R/T/B):	70°/70°/60°/60°
POWER REQUIREMENTS:	12VDC @ 2.1 Amp
VIDEO INPUT LEVEL:	Composite 1V p-p (75 Ohms)
DIMENSIONS (HxWxD):	9 7/16" x 13 3/4" x 7/8"
MONITOR MOUNTING:	VESA
OPERATING TEMPERATURE:	0° ~ 60°C (32° ~ 140°F)
STORAGE TEMPERATURE:	-20° ~ +80°C (-4° ~ +176°F)



FEATURES

- IR REMOTE
- 16:9 WIDESCREEN
- 2 VIDEO INPUTS
- OSD

* Specifications subject to change without notice.

Miller Technologies
109 Fairytale Lane
Surf City, NC 28445

Miller
Technologies

www.millertech.com

Pho: (910) 328-2829
Fax: (910) 328-5494
Email: info@millertech.com