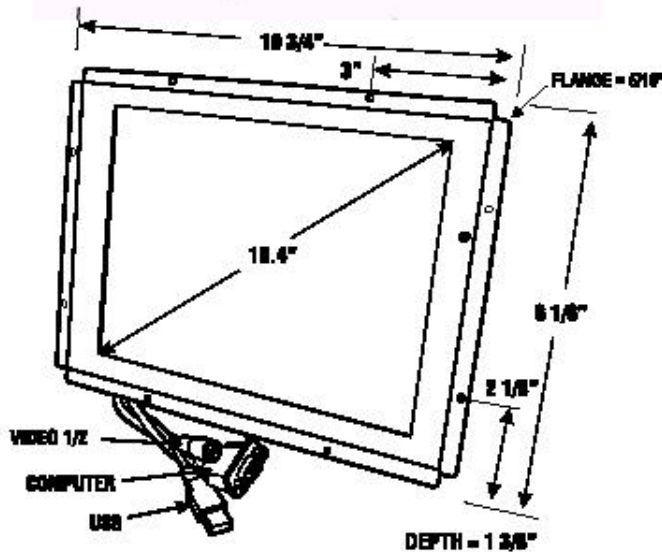


LCDM104SVGA & LCDM104SVGATS

10.4" Metal Framed Monitor with Optional Touch Screen



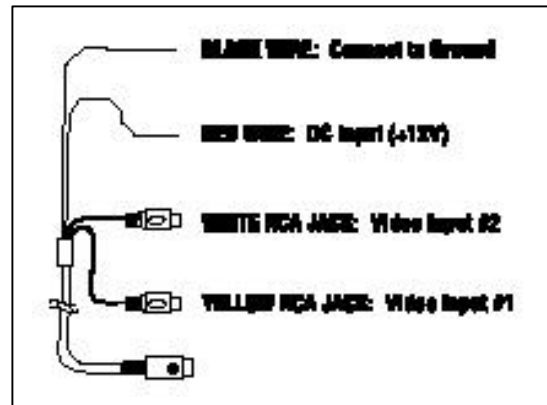
TECHNICAL SPECIFICATIONS

SPECIFICATIONS

DISPLAY:	10.4" LCD Monitor
INPUT SIGNAL:	Composite/Computer
RESOLUTION:	800 x 600
BACK LIGHT:	20,000 Hrs.
BRIGHTNESS RATING:	450 NIT (TS: 360 NIT)
CONTRAST RATIO:	200:1
VIEWING ANGLE (L/R/T/B):	65°/65°/40°/40°
POWER REQUIREMENTS:	12VDC @ 1.25A
VIDEO INPUT LEVEL:	Composite 1V p-p (75 Ohm)
DIMENSIONS (HxWxD):	8 1/8" x 10 3/4" x 1 3/8"
MONITOR MOUNTING:	Flange
OPERATING TEMPERATURE:	0°C ~ +60°C (+32°F ~ +140°F)
STORAGE TEMPERATURE:	-20°C ~ +80°C (-4°F ~ +176°F)

FEATURES

- IR REMOTE
- 2 VIDEO INPUTS
- VGA COMPUTER INPUT
- TOUCH SCREEN



Miller Technologies
109 Fairytale Lane
Surf City, NC 28445

**Miller
Technologies**

www.millertech.com

Pho: (910) 328-2829
Fax: (910) 328-5494
Email: info@millertech.com