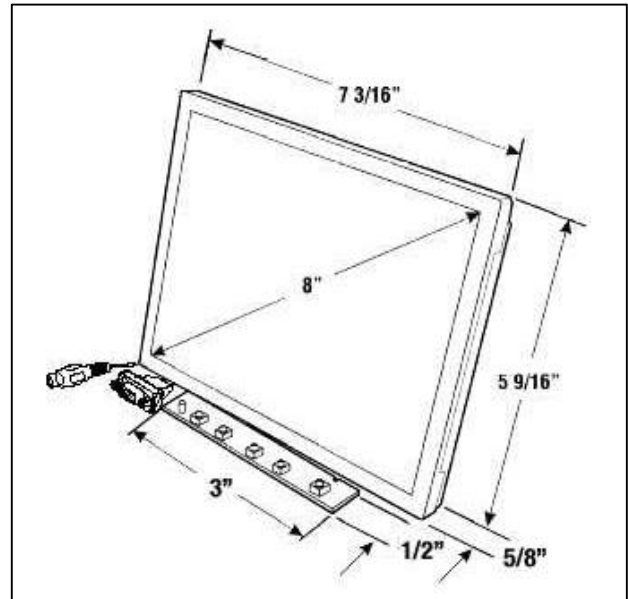


LCD8LVGA/TS TECHNICAL SPECIFICATIONS

8" Open Frame LCD Module with Optional Touch Screen



SPECIFICATIONS

DISPLAY:	8" Color TFT LCD
RESOLUTION:	800 x 600
INPUT SYSTEMS:	NTSC/PAL/Computer
NUMBER OF PIXELS:	480,000
BACK LIGHT:	L.E.D.
BRIGHTNESS RATING:	200 NIT
VIEWING ANGLE (L/R/T/B):	65°/65°/50°/65°
TOUCH SCREEN INTERFACE:	USB
POWER REQUIREMENTS:	12VDC (±15%) @ 400mA
VIDEO INPUT LEVEL:	Composite 1V p-p (75 Ohms)
DIMENSIONS (HxWxD):	5 9/16" x 7 3/16" x 5/8"
OPERATING TEMPERATURE:	0° ~ 60°C (32° ~ 140°F)
STORAGE TEMPERATURE:	-20° ~ +70°C (-4° ~ +158°F)
NET WEIGHT:	1 LB.

FEATURES

- On Screen Display (OSD)
- 1 Video Input
- 1 Computer Input
- Auto Force Power On
- LED Backlight
- Optional USB Resistive touch Screen

* Specifications subject to change without notice.

Miller Technologies
109 Fairytale Lane
Surf City, NC 28445

**Miller
Technologies**

www.millertech.com

Pho: (910) 328-2829
Fax: (910) 328-5494
Email: info@millertech.com