

LCD7XL

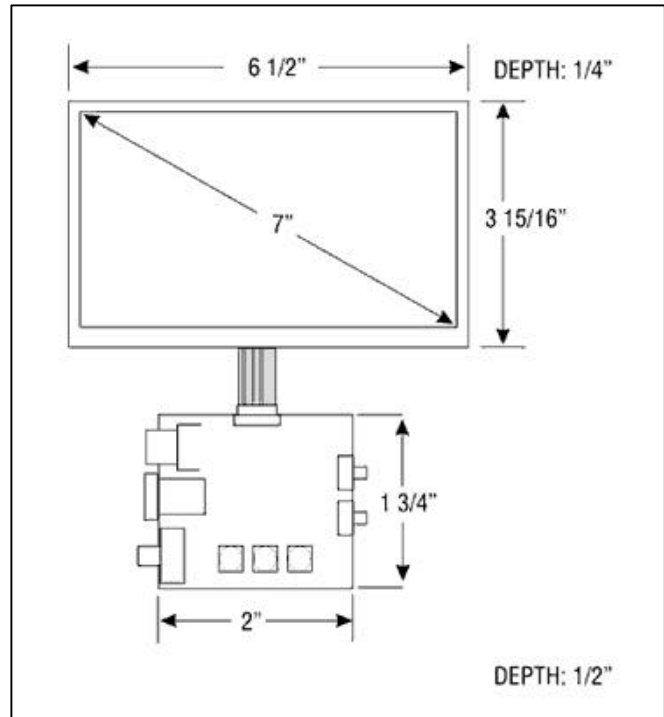
7" OPEN FRAME
COLOR MONITOR
- WIDESCREEN -



FEATURES

- Mirror Image
- Flip Image

TECHNICAL SPECIFICATIONS



SPECIFICATIONS

DISPLAY:	7" Color TFT
INPUT SIGNAL:	NTSC/PAL Auto Switch
RESOLUTION:	1440 x 234
BACK LIGHT:	CCFT
LAMP LIFE:	15,000 Hours
BRIGHTNESS RATING:	350 NIT
CONTRAST RATIO:	150:1
VIEWING ANGLE (L/R/T/B):	55°/55°/15°/35°
POWER REQUIREMENTS:	12VDC @ 700 mA
VIDEO INPUT LEVEL:	1.0V p-p (Positive) 75 Ω
DIMENSIONS, MODULE (HxWxD):	3 15/16" x 6 1/2" x 1/4"
DRIVER BOARD:	2 11/16" x 4" x 3/8"
CONTROL BOARD:	1 3/8" x 2" x 1/2"
OPERATING TEMPERATURE:	0° ~ 60°C
STORAGE TEMPERATURE:	-20° ~ 80°C
WEIGHT:	12 OZ.

*Specifications subject to change without notice.

Miller Technologies
109 Fairytale Lane
Surf City, NC 28445

Miller
Technologies

www.millertech.com

Pho: (910) 328-2829
Fax: (910) 328-5494
Email: info@millertech.com