

LCD7WVGA

TECHNICAL SPECIFICATION

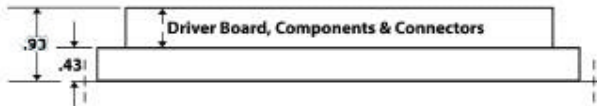
7" Widescreen OPEN FRAME LCD MONITOR



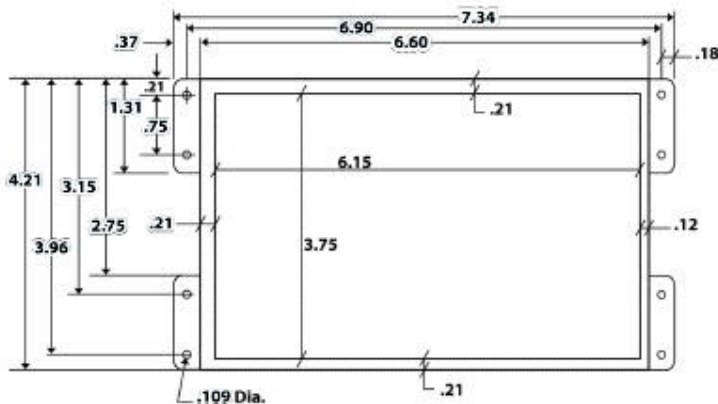
SPECIFICATIONS

DISPLAY:	7" Widescreen TFT LCD
BACKLIGHT:	CCFL
RESOLUTION:	800 x 480
DOT PITCH:	0.107(H) x 0.372(V)
VIEWING ANGLE:	L/R/T/B 65°/65°/40°/65°
BRIGHTNESS RATING:	300 cd/m ²
NUMBER OF PIXELS:	480,000
VIDEO INPUT LEVEL:	Composite 1V p-p (75 ohms)
VIDEO INPUT SYSTEMS:	NTSC, PAL, Computer
POWER SOURCE:	DC 12V +/- 15%
POWER CONSUMPTION:	750 mA
OPERATION TEMPERATURE:	0°C ~ +50°C (+32°F ~ +122°F)
STORAGE TEMPERATURE:	-30°C ~ +60°C (-22°F ~ +140°F)
DIMENSIONS:	4 1/4"(H) x 6 3/4"(W) x 1"(D)
NET WEIGHT:	570 grams

Top View

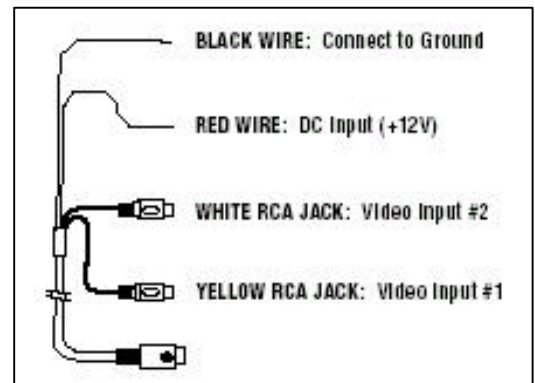


Front View



FEATURES

- 16:9 WIDESCREEN
- ON SCREEN DISPLAY
- LCD7WVGATS has Optional Touch Screen
- 2 VIDEO INPUTS
- REMOTE CONTROL



*Specifications subject to change without notice.

Miller Technologies
109 Fairytale Lane
Surf City, NC 28445

Miller
Technologies

www.millertech.com

Pho: (910) 328-2829
Fax: (910) 328-5494
Email: info@millertech.com