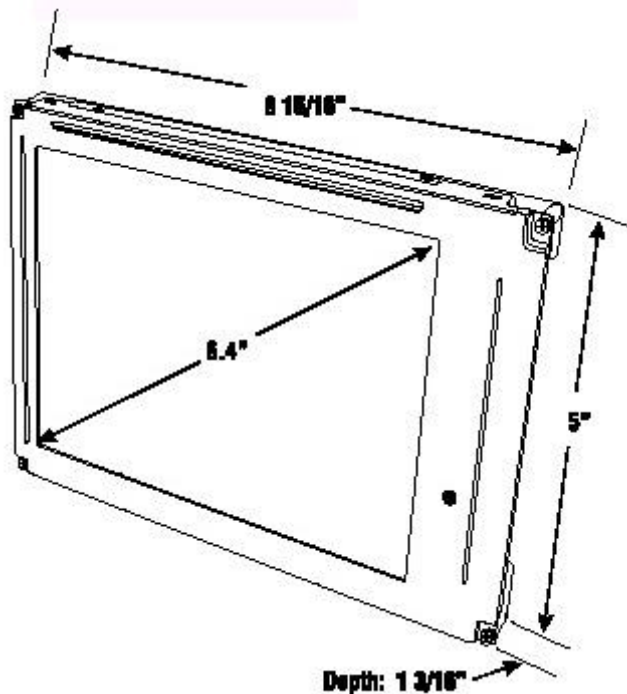


# LCD64VGAT **TECHNICAL SPECIFICATIONS**

## 6.4" TFT Color Open Frame LCD Monitor Module



### SPECIFICATIONS

DISPLAY:	6.4" TFT LCD
INPUT SIGNAL:	NTSC/COMPUTER
BACK LIGHT:	CCFL
RESOLUTION:	640 x 480
DOT PITCH:	0.107(H) x 0.372(V)
VIEWING ANGLE (L/R/T/B):	60°/60°/55°/40°
BRIGHTNESS RATING:	400 NIT
CONTRAST RATIO:	400:1
NUMBER OF PIXELS:	307.200
POWER SOURCE:	12VDC
POWER CONSUMPTION:	600mA
OPERATING TEMPERATURE:	0°C ~ +50°C (+32°F ~ +122°F)
STORAGE TEMPERATURE:	-30°C ~ +60°C (-22°F ~ +140°F)
DIMENSIONS (H x W X D):	5" X 6 15/16" X 1 3/16"
NTE WEIGHT:	1.3 LBS

### FEATURES

- ON SCREEN DISPLAY
- REMOTE CONTROL

Miller Technologies  
109 Fairytale Lane  
Surf City, NC 28445

**Miller  
Technologies**

[www.millertech.com](http://www.millertech.com)

Pho: (910) 328-2829  
Fax: (910) 328-5494  
Email: [info@millertech.com](mailto:info@millertech.com)