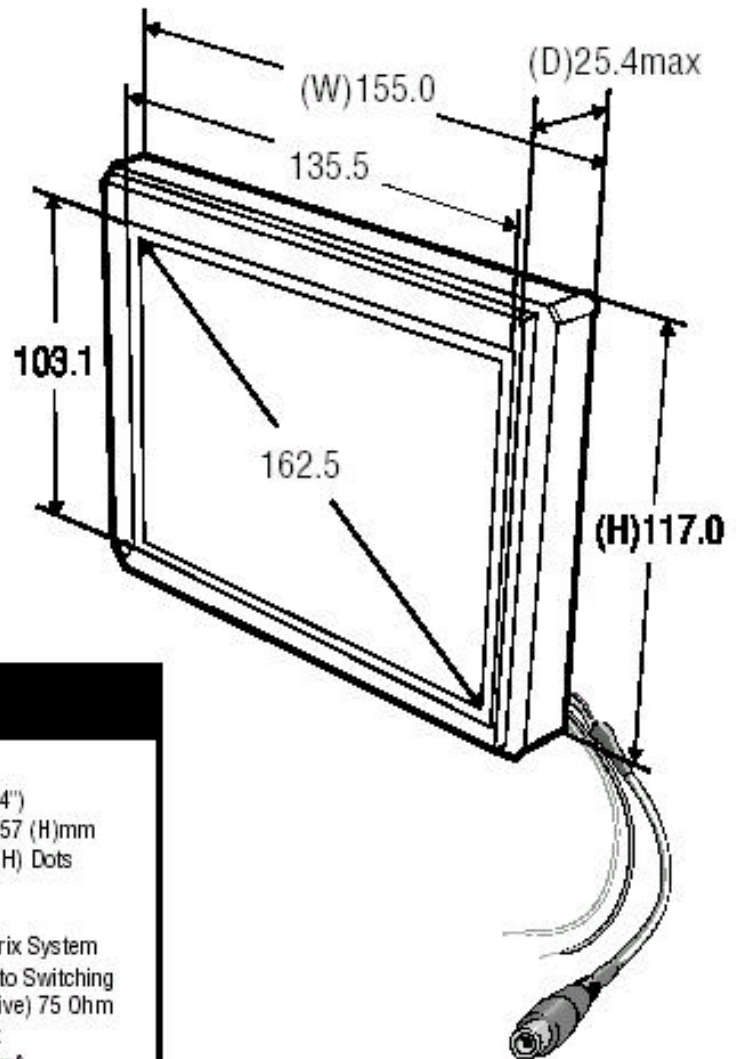


LCD64BN

TECHNICAL SPECIFICATIONS



PART NO. LCD64BN

1. LCD Panel
 - a. Display Size: 162.56 mm (6.4")
 - b. Dot Pitch: 0.362 (V) x 0.157 (H)mm
 - c. Dot Format: 234 (V) x 960 (H) Dots
 - d. Number of Pixels: 224,640
 - e. Pixel Configuration: Strip
 - f. Display Method: TFT Active Matrix System
2. Input Signal System: NTSC / PAL Auto Switching
3. Input Signal Level: 1.0VP-P (Positive) 75 Ohm
4. Back Light: CCFT Backlight
5. Power Consumption: 12VDC at 600 mA
6. Operating Temperature: -20°C ~ +70°C
7. Storage Temperature: -30°C ~ 80°C
8. Brightness: 300 cd/m²
9. Viewing Angle: Vertical - +15°/-35°
Horizontal - ±60°
10. Dimensions: 4 5/8"(H) x 6 1/8"(W) x 1"(D)

METRIC CONVERSION: 25.4 mm = 1"

MILLER TECHNOLOGIES
109 FAIRYTALE LANE
SURF CITY, NC 28445

Miller Technologies
www.millertech.com

Tel: (910) 328-2829
Fax: (910) 328-5494
Email: info@millertech.com