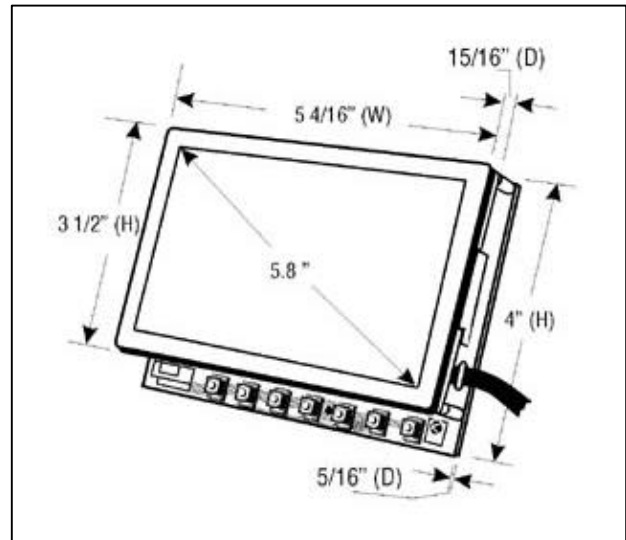


# LCD58

## TECHNICAL SPECIFICATION

### 5.8" WIDESCREEN TFT OPEN FRAME COLOR LCD MONITOR



#### FEATURES

- IR Remote
- OSD (On Screen Display)
- 3 Video Inputs
- Detachable Control Board

#### SPECIFICATIONS

DISPLAY:	5.8" TFT Color LCD (16:9)
INPUT SIGNAL:	NTSC
RESOLUTION:	1200(H) x 234(V)
BACKLIGHT:	CCFT
LAMP LIFE:	10,000 Hours
OVERALL DIMENSIONS:	3 1/2"H x 5 11/16"W x 15/16"D
BRIGHTNESS RATING:	250 NIT
CONTRAST RATIO:	150:1
VIEWING ANGLE:	120° (H) x +30°/-60° (V)
POWER REQUIREMENTS:	12VDC @ 700 mA
VIDEO INPUT LEVEL:	1.0V p-p (Positive) 75 Ohm
MONITOR MOUNTING:	Open Frame
OPERATING TEMPERATURE:	0° ~ 60°C
STORAGE TEMPERATURE:	-30° ~ 80°C
	410 ± 10g

NOTE: Specifications subject to change without notice.

Miller Technologies  
109 Fairytale Lane  
Surf City, NC 28445

**Miller  
Technologies**

[www.millertech.com](http://www.millertech.com)

Pho: (910) 328-2829  
Fax: (910) 328-5494  
Email: [info@millertech.com](mailto:info@millertech.com)