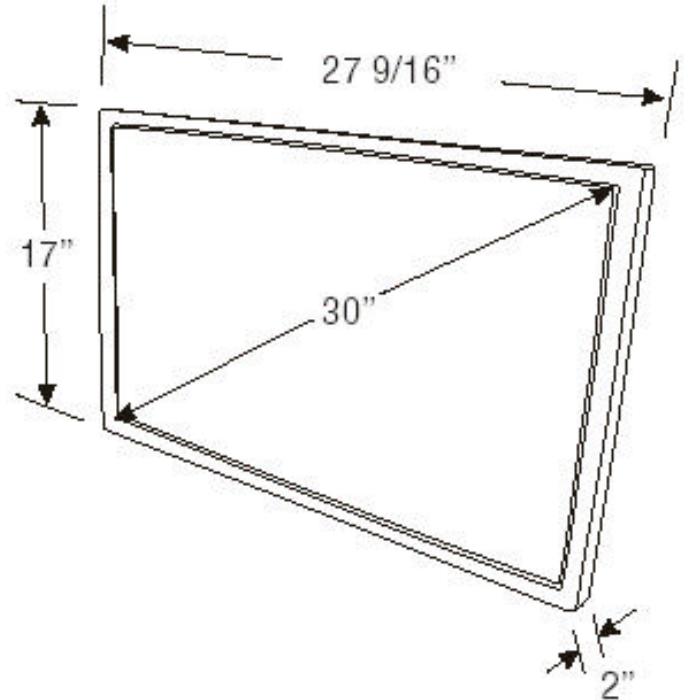


LCD30R

TECHNICAL SPECIFICATIONS

30" TFT-LCD WIDESCREEN COLOR MONITOR



FEATURES

- 16:9 Wide Screen
- 6 Input Signals
- HD TV Ready Tuner
- OSD
- PIP (Picture In Picture)

SPECIFICATIONS

DISPLAY:	30" TFT-LCD Active Matrix Color Monitor
INPUT SIGNAL:	NTSC/S-Video, PAL, DVI, Component, Computer
RESOLUTION:	1280 x 768
BACK LIGHT:	CCFL
LAMP LIFE:	25,000 Hrs.
BRIGHTNESS RATING:	550cd/m ²
CONTRAST RATIO:	600:1
VIEWING ANGLE (L/R/T/B):	85°/85°/85°/85°
POWER REQUIREMENTS:	110VAC - 24VDC@6 amps
VIDEO INPUT LEVEL:	1.0 Vp-p (Positive) 75 Ohm
MONITOR MOUNTING:	Open Frame
OPERATING TEMPERATURE:	0° ~ 60°C
STORAGE TEMPERATURE:	-20° ~ 80°C
RESPONSE TIME:	16ms

**Specifications subject to change without notice*

Miller Technologies
109 Fairytale Lane
Surf City, NC 28445

**Miller
Technologies**

www.millertech.com

Pho: (910) 328-2829
Fax: (910) 328-5494
Email: info@millertech.com