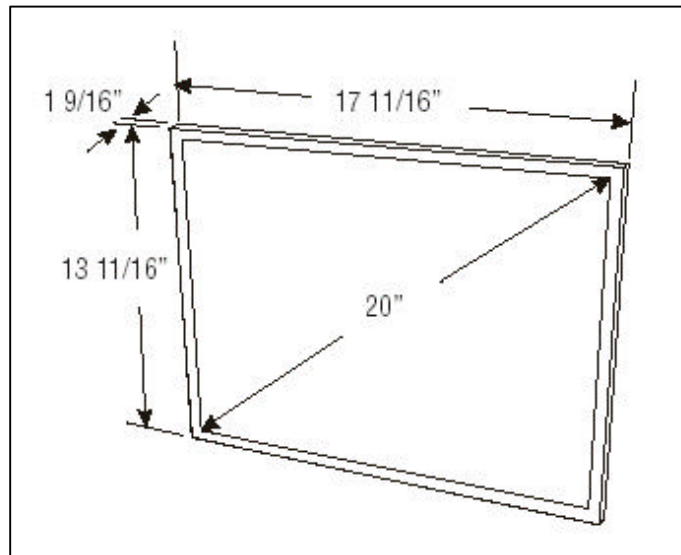


LCD20

TECHNICAL SPECIFICATIONS

20" TFT-LCD COLOR MONITOR



FEATURES

- OSD (On Screen Display)
- Remote Control
- 4 Input Signals

SPECIFICATIONS

| | |
|---------------------------------|-----------------------------------|
| DISPLAY: | 20" TFT-LCD |
| INPUT SIGNAL: | NTSC, PAL, S-video, Computer, RGB |
| RESOLUTION: | 1600 x 1200 (UXGA) |
| BACKLIGHT: | CCFT |
| LAMP LIFE: | 25,000 Hrs. |
| BRIGHTNESS RATING: | 250 NIT (cd/m ²) |
| CONTRAST RATIO: | 350:1 |
| VIEWING ANGLE (L/R/T/B): | 65°/65°/65°/65° |
| POWER REQUIREMENTS: | 12VDC @ 3.88A |
| VIDEO INPUT LEVEL: | 1.0V p-p (Positive) 75 Ohm |
| DIMENSIONS (HxWxD): | 13 11/16" x 17 11/16" x 1 9/16" |
| MONIYOR MOUNTING: | Open Frame |
| OPERATING TEMPERATURE: | 0° ~ 60°C |
| STORAGE TEMPERATURE: | -20° ~ 80°C |

*Specifications subject to change without notice