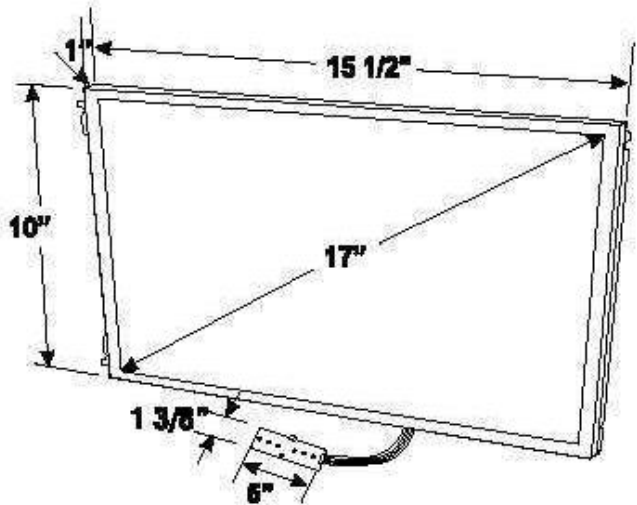


# LCD17WL

# TECHNICAL SPECIFICATIONS

## 17" Widescreen TFT LCD Monitor

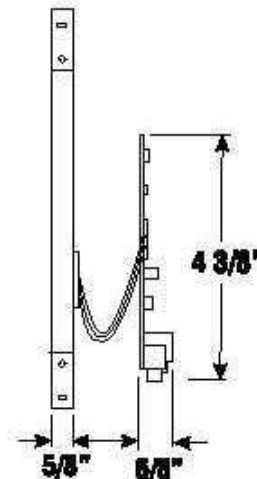


### SPECIFICATIONS

DISPLAY:	17" Widescreen Color TFT
INPUT SIGNAL:	NTSC/PAL/S-Video/Computer
RESOLUTION:	1280 x 800 (WXGA)
BACK LIGHT:	CCFT
LAMP LIFE:	25,000 Hrs.
BRIGHTNESS RATING:	250 NIT
CONTRAST RATIO:	300:1
VIEWING ANGLE (L/R/T/B):	60°/60°/50°/50°
POWER REQUIREMENTS:	12VDC @ 3.3 Amp
VIDEO INPUT LEVEL:	1V p-p (Positive) 75 Ohms
DIMENSIONS (HxWxD):	10" x 15 1/2" x 1 1/4"
MONITOR MOUNTING:	VESA
OPERATING TEMPERATURE:	0° ~ 60°C (32° ~ 140°F)
STORAGE TEMPERATURE:	-20° ~ +80°C (-4° ~ +176°F)

### FEATURES

- 4 INPUTS (NTSC/PAL/S-video/Computer)
- 16:9 WIDESCREEN
- OSD



\* Specifications subject to change without notice.

**Miller Technologies**  
109 Fairytale Lane  
Surf City, NC 28445

**Miller  
Technologies**

[www.millertech.com](http://www.millertech.com)

**Pho: (910) 328-2829**  
**Fax: (910) 328-5494**  
**Email: [info@millertech.com](mailto:info@millertech.com)**