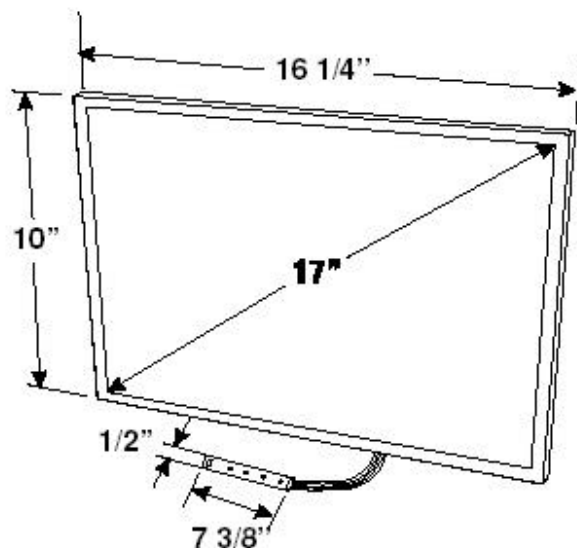


LCD17WH

TECHNICAL SPECIFICATIONS

17" WIDESCREEN TFT COLOR LCD MONITOR

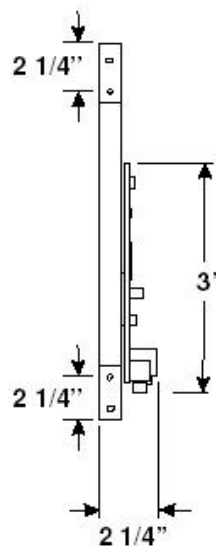


FEATURES

- 16:9 WIDESCREEN
- 3 INPUT SIGNALS
- OSD

SPECIFICATIONS

DISPLAY:	17" TFT LCD Monitor
INPUT SIGNAL:	NTSC/PAL/S-Video/Computer/DVI
RESOLUTION:	1366 x 768 (WXGA)
BACK LIGHT:	25,000 Hrs.
BRIGHTNESS RATING:	250 NIT
CONTRAST RATIO:	300:1
VIEWING ANGLE (L/R/T/B):	85°/85°/80°/80°
POWER REQUIREMENTS:	24VDC @ 3.3A
VIDEO INPUT LEVEL:	1V p-p (Positive) 75 Ohm
DIMENSIONS (HxWxD):	10" x 16 1/4" x 2 1/4"
OPERATING TEMPERATURE:	0°C ~ +60°C (+32°F ~ +140°F)
STORAGE TEMPERATURE:	-20°C ~ +80°C (-4°F ~ +176°F)



*Specifications subject to change without notice

Miller Technologies
109 Fairytale Lane
Surf City, NC 28445

Miller
Technologies

www.millertech.com

Pho: (910) 328-2829
Fax: (910) 328-5494
Email: info@millertech.com