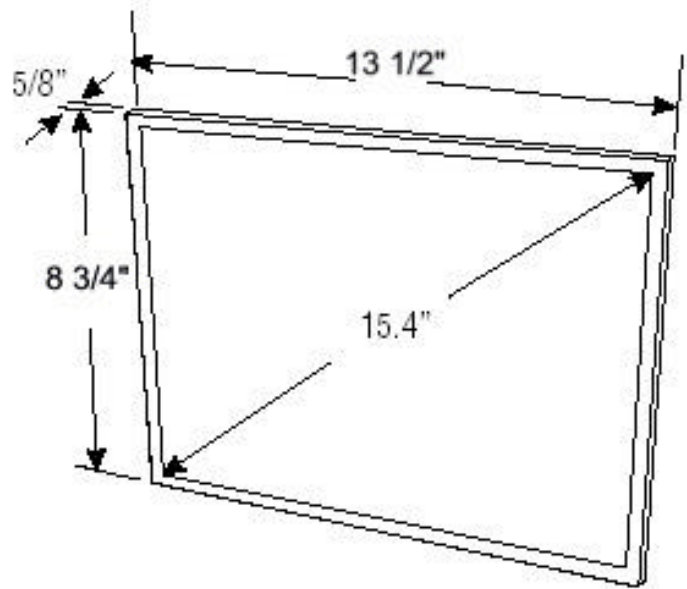


# LCD154T

## TECHNICAL SPECIFICATIONS

15.4" TFT-LCD  
COLOR MONITOR



### FEATURES

- 3 Input Signals
- OSD
- 16:9 Widescreen

### SPECIFICATIONS

DISPLAY:	15.4" TFT-LCD
INPUT SIGNAL:	NTSC, PAL, S-Video, Computer
RESOLUTION:	1280 x 800 (XGA)
BACKLIGHT:	CCFT
LAMP LIFE:	25,000 Hrs.
BRIGHTNESS RATING:	200 NIT (cd/m <sup>2</sup> )
CONTRAST RATIO:	300:1
VIEWING ANGLE (L/R/T/B):	45°/45°/20°/45°
POWER REQUIREMENTS:	12VDC @ 2.5A
VIDEO INPUT LEVEL:	1.0V p-p (Positive) 75 Ohm
DIMENSIONS (HxWxD):	8 3/4" x 13 1/2" x 5/8"
MONITOR MOUNTING:	Open Frame
OPERATING TEMPERATURE:	0° ~ 60°C
STORAGE TEMPERATURE:	-20° ~ 80°C
WEIGHT:	3 LBS.

*\*Specifications subject to change without notice*

Miller Technologies  
109 Fairytale Lane  
Surf City, NC 28445

Miller  
Technologies

[www.millertech.com](http://www.millertech.com)

Pho: (910) 328-2829  
Fax: (910) 328-5494  
Email: [info@millertech.com](mailto:info@millertech.com)