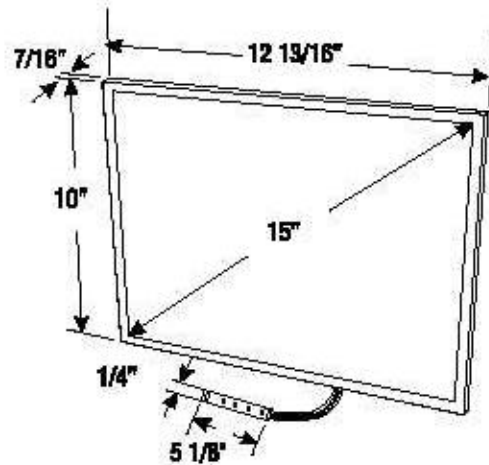


LCD150C

TECHNICAL SPECIFICATION

15" TFT OPEN FRAME COLOR LCD MONITOR



FEATURES

- OSD (On Screen Display)

SPECIFICATIONS

DISPLAY:	15" LCD Monitor
INPUT SIGNAL:	NTSC/PAL
RESOLUTION:	1024 x 768 (XGA)
BACKLIGHT:	CCFT
LAMP LIFE:	25,000 Hours
PANEL DIMENSIONS (HxWxD):	10" x 12 13/16" x 7/16"
OVERALL DIMENSIONS (HxWxD):	10" X 12 13/16" X 1"
BRIGHTNESS RATING:	200 nit
CONTRAST RATIO:	250:1
VIEWING ANGLE:	45°/45°/45°/45°
POWER REQUIREMENTS:	12VDC @ 2.1A
VIDEO INPUT LEVEL:	1.0V p-p (Positive) 75 Ohm
MONITOR MOUNTING:	Open Frame
OPERATING TEMPERATURE:	0° - 60°C
STORAGE TEMPERATURE:	-20° - 80°C
WEIGHT:	0.7 kg

NOTE: Specifications subject to change without notice.

Miller Technologies
109 Fairytale Lane
Surf City, NC 28445

**Miller
Technologies**

www.millertech.com

Pho: (910) 328-2829
Fax: (910) 328-5494
Email: info@millertech.com