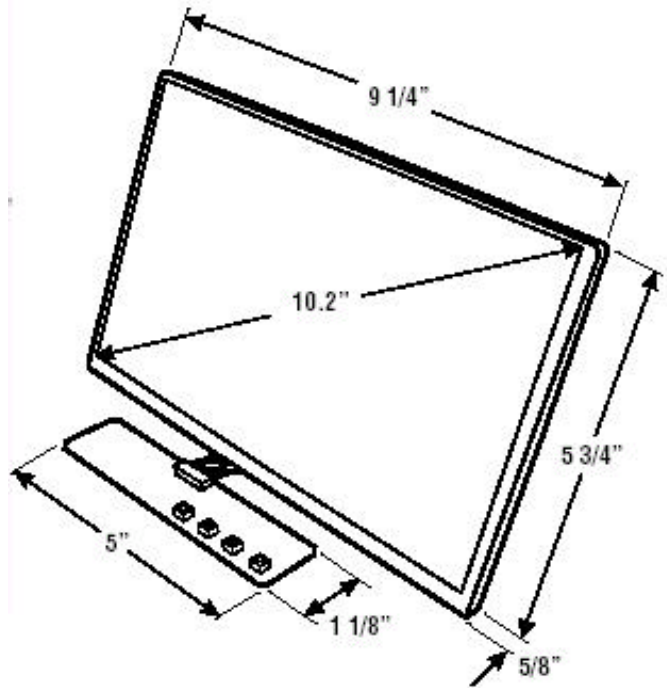


LCD102W (& LCD102WVGA)

TECHNICAL SPECIFICATIONS

10.2" WIDESCREEN TFT LCD OPEN FRAME COLOR MONITOR



FEATURES

- NTSC, PAL
- MIRROR IMAGE
- 16:9 TO 4:3 ASPECT RATIO SWITCHABLE
- OSD (On Screen Display)
- WIDESCREEN
- VGA VERSION AVAILABLE (LCD102WVGA)

SPECIFICATIONS

Display Area:	10.2" Color TFT Active Matrix Monitor
Input signal:	NTSC/PAL (LCD102WVGA+Computer)
Dot Format:	800 x 480
Back Light:	CCFT
Lamp Life:	20,000 Hrs.
Brightness Rating:	300 NIT
Contrast Ratio:	250:1
Viewing Angle (L/R/T/B):	60°/60°/50°/35°
Power Requirements:	12VDC @ 850 mA
Dimensions (HxWxD):	6 1/8" x 9 3/8" x 1"
Operating Temperature:	0° ~ 60°C
Storage Temperature:	-5° ~ 80°C
Weight:	1.2 lbs.

Miller Technologies
109 Fairytale Lane
Surf City, NC 28445

Miller
Technologies

www.millertech.com

Pho: (910) 328-2829
Fax: (910) 328-5494
Email: info@millertech.com