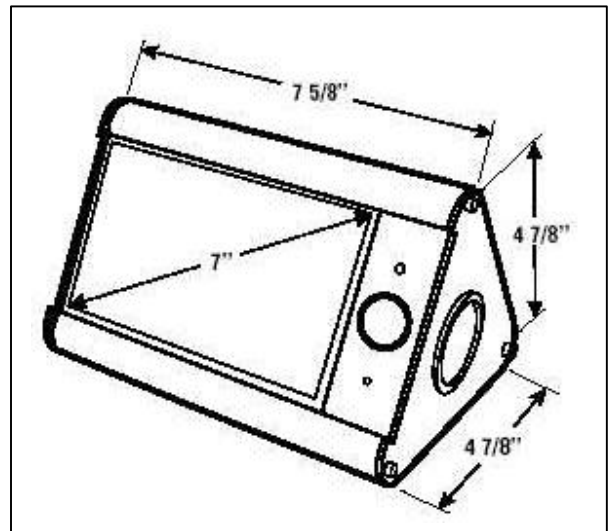


# ADV70

## TECHNICAL SPECIFICATIONS

### 7" LCD MONITOR & BUILT-IN FLASH CARD PLAYER

**- WIDE SCREEN -**



#### FEATURES

- Integrated Flash Card Player
- Infrared Motion Sensor
- 2 x 2 Watt Speakers
- IR Remote (OSD)

#### SPECIFICATIONS

DISPLAY:	7" Color TFT LCD
INPUT SIGNAL:	NTSC/PAL Autoswitching
DOT FORMAT:	1440 x 234
BACK LIGHT:	CCFT
LAMP LIFE:	15,000 Hrs.
BRIGHTNESS RATING:	300 nit
CONTRAST RATIO:	150:1
VIEWING ANGLE:	L/R/T/B 55°/50°/10°/35°
POWER REQUIREMENTS:	12VDC @ 750 mA
VIDEO INPUT LEVEL:	1.0 V p-p (Positive) 75 Ohm
DIMENSIONS:	4 7/8"(H) x 7 5/8"(W) x 4 7/8"(D)
MONITOR MOUNTING:	Brackets Included
OPERATING TEMPERATURE:	0°C ~ 60°C
STORAGE TEMPERATURE:	-20°C ~ 80°C

*\*Specifications subject to change without notice.*

**Miller Technologies**  
109 Fairytale Lane  
Surf City, NC 28445

**Miller  
Technologies**

[www.millertech.com](http://www.millertech.com)

**Pho: (910) 328-2829**  
**Fax: (910) 328-5494**  
**Email: [info@millertech.com](mailto:info@millertech.com)**