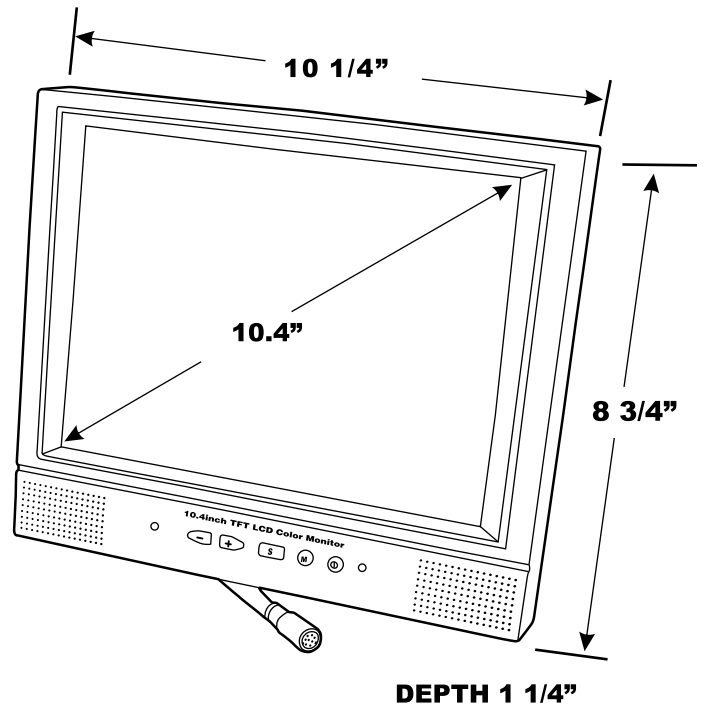


# **XLCDP104N** TECHNICAL SPECIFICATIONS



## **PART NO. XLCDP104N**

<b>Model No.:</b>	XLCDP104N
<b>Panel Display Type:</b>	Active Matrix TFT LCD
<b>Size:</b>	10.4" Diagonal
<b>Display Resolution:</b>	800(H) x 600(V)
<b>Pixels:</b>	262,144 colors
<b>Contrast Ratio:</b>	250:1
<b>Brightness:</b>	300 NIT (cd/m <sup>2</sup> )
<b>View Angle:</b>	110°(H) x +10°/-35°(V)
<b>Signal Input:</b>	NTSC/S-video
<b>Power Consumption:</b>	Operating 850mA @12VDC
<b>Operating Temperature:</b>	0°C ~ 60°
<b>IR Remote:</b>	Power ON/OFF, Brightness, Contrast, Color, Mute
<b>Audio:</b>	(2) 1 Watt, Speakers
<b>Dimension:</b>	8 3/4"(H) x 10 1/4"(W) x 1 1/4"(D)