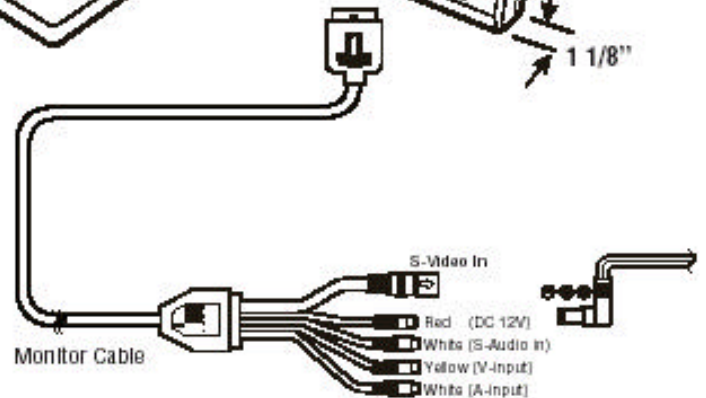
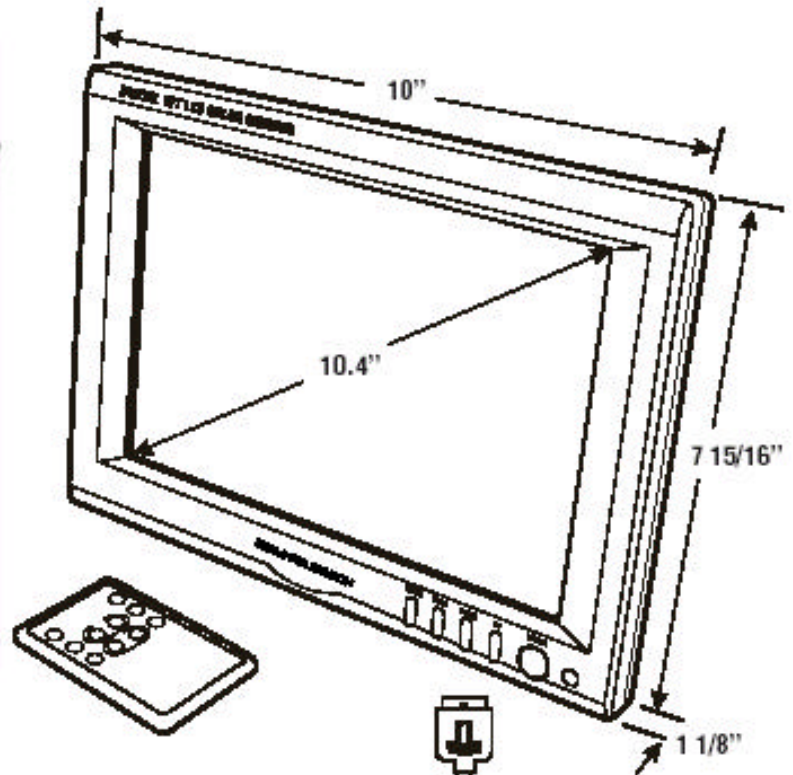


LCDP104L

TECHNICAL SPECIFICATIONS



PART NO. LCPD104L

Model No.:	LCDP104L
Panel Display Type:	Active Matrix TFT LCD
Size:	10.4" Diagonal
Display Resolution:	800(H) x 600(V)
Pixels:	480,000
Contrast Ratio:	400:1
Brightness:	230 NIT (cdm ²)
View Angle:	110°(H) x 80°(V)
Signal Input:	NTSC/S-Video/PAL/Computer
Power Consumption:	Operating 850mA @12VDC
Operating Temperature:	-10°C ~ 50°C
IR Remote:	Power ON/OFF, Brightness, Contrast, Color, Mute
Audio:	(2) ½ Watt Speakers
Dimension:	7 15/16"(H) x 10"(W) x 1 1/8"(D)

FEATURES

- Signal Inputs : NTSC
- IR Remote
- : PAL
- OSD "On Screen Display"
- : COMPUTER
- (2) 1/2W Speakers
- : S-VIDEO
- Mounting Bracket

Miller Technologies
109 Fairytale Lane
Surf City, NC 28445

Miller
Technologies

www.millertech.com

Pho: (910) 328-2829
Fax: (910) 328-5494
Email: info@millertech.com