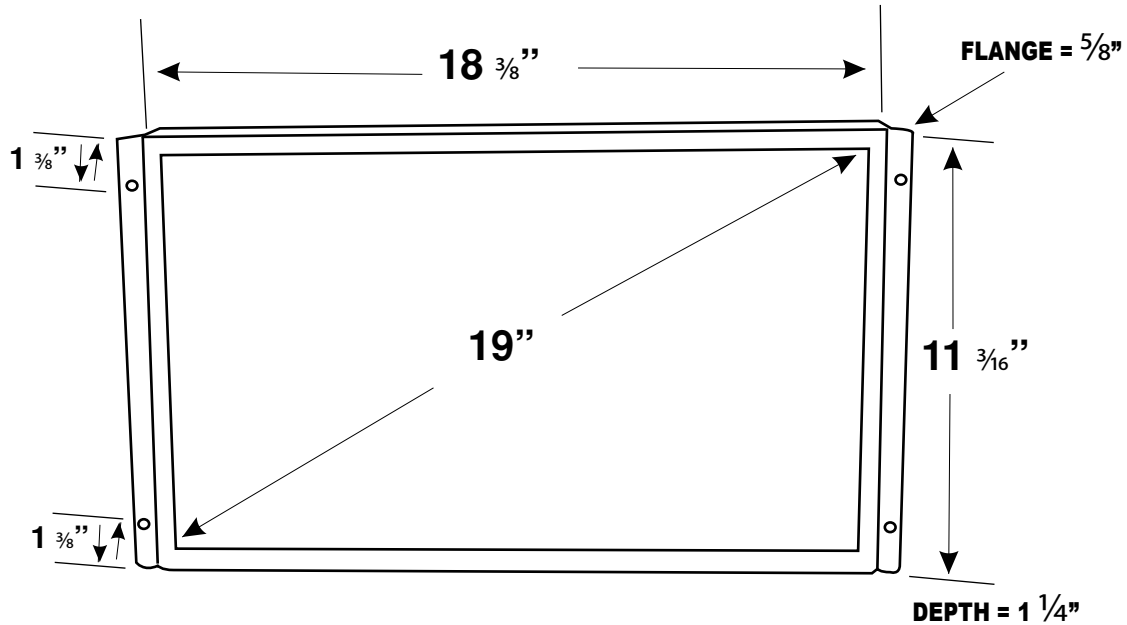


LCDMC19WX

TECHNICAL SPECIFICATIONS

19" TFT-LCD WIDESCREEN COLOR MONITOR



FEATURES

- 16:10 Wide Screen
- 3 Input Signals
- OSD
- IR Remote

SPECIFICATIONS

DISPLAY:	19" TFT-LCD Active Matrix Color Monitor
INPUT SIGNAL:	NTSC / PAL / S-Video / Computer
RESOLUTION:	1600 X 1200
BACK LIGHT:	CCFT
LAMP LIFE:	25,000 Hrs.
BRIGHTNESS RATING:	250cd/m ²
CONTRAST RATIO:	300:1
VIEWING ANGLE (L/R/T/B):	85°/85°/80°/80°
POWER REQUIREMENTS:	2 1/4 amp @ 12VDC
VIDEO INPUT LEVEL:	1.0 Vp-p (Positive) 75 Ohm
DIMENSIONS:	11 3/8" (H) X 18 3/4" (W) X 1 1/4" (D)
MONITOR MOUNTING:	Flange
OPERATING TEMPERATURE:	0° ~ 60°C
STORAGE TEMPERATURE:	-20° ~ 80°C



*Specifications subject to change without notice

AEI Components

A Division of Accele Electronics, Inc.

www.aeicomp.com

CONTACT:

TOLL FREE (US only) 866-788-0901
(562) 809-8262 • FAX: (562) 865-5640