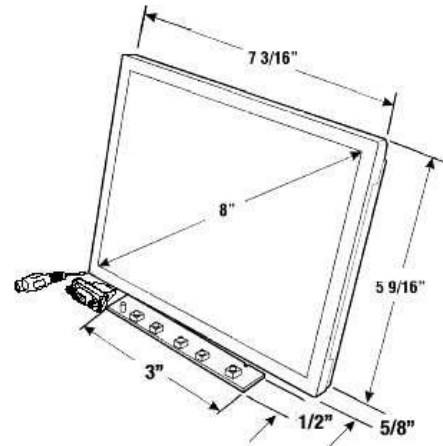


LCD8LN

TECHNICAL SPECIFICATIONS

8" OPEN FRAME LCD MONITOR with LED Back Light



FEATURES

- 8" TFT LCD
- 2 VIDEO INPUTS
- OSD (ON SCREEN DISPLAY)
- IR REMOTE CONTROL

SPECIFICATIONS

DISPLAY:	8" Color TFT LCD
INPUT SIGNAL:	NTSC/PAL
RESOLUTION:	800 X 600
BACK LIGHT:	LED
BRIGHTNESS RATING:	220 NIT TYP.
VIEWING ANGLE (L/R/T/B):	65°/65°/40°/65°
NUMBER OF PIXELS:	480,000
POWER REQUIREMENTS:	12VDC @ 450 mA
VIDEO INPUT LEVEL:	1.0 V p-p (positive) 75 Ohm
DIMENSIONS (HxWxD):	5 9/16" x 7 3/16" x 1" (incl. Board)
OPERATING TEMPERATURE:	0° ~ 50°C (32° ~ 122°F)
STORAGE TEMPERATURE:	-30° ~ 60°C (-22° ~ 140°F)
NET WEIGHT:	1.3 LBS.

**Specifications subject to change without notice.*

Miller Technologies
109 Fairytale Lane
Surf City, NC 28445

**Miller
Technologies**

www.millertech.com

Pho: (910) 328-2829
Fax: (910) 328-5494
Email: info@millertech.com