

# LCD3L

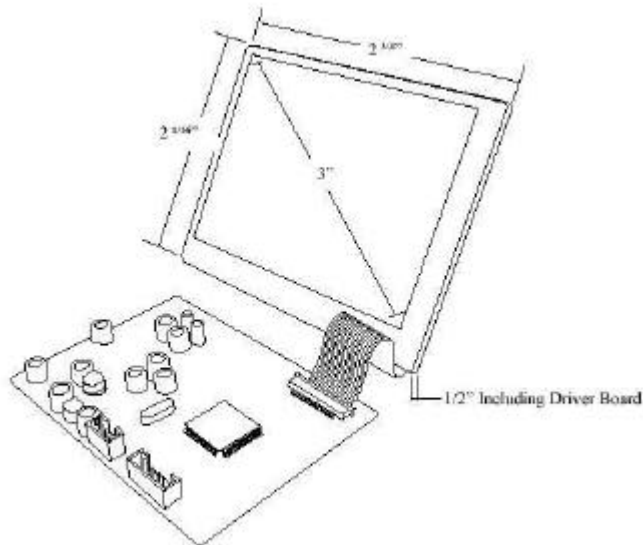
## TECHNICAL SPECIFICATIONS

### 3" OPEN FRAME LCD MONITOR with LED Back Light



#### SPECIFICATIONS

DISPLAY:	3" COLOR TFT LCD
INPUT SIGNAL:	NTSC/PAL Auto Switch
DOT FORMAT:	960 X 240
BACK LIGHT:	LED
BRIGHTNESS RATING:	250 NIT
LAMP LIFE:	30,000 Hrs.
VIEWING ANGLE (L/R/T/B):	60°/60°/40°/60°
CONTRAST RATIO:	300:1
POWER REQUIREMENTS:	12VDC @ 140 mA
VIDEO INPUT LEVEL:	1.0 V p-p (positive) 75 Ohm
DIMENSIONS (HxWxD):	2 1/16" x 2 3/4" x 1/2"
OPERATING TEMPERATURE:	0° - 60°C (32° - 140°F)
STORAGE TEMPERATURE:	-25° ~ +80°C (-13° ~ +176°F)



#### FEATURES

- LONG LIFE LED BACKLIGHT
- LOW POWER CONSUMPTION

*\*Specifications subject to change without notice.*

**Miller Technologies**  
109 Fairytale Lane  
Surf City, NC 28445

**Miller  
Technologies**

[www.millertech.com](http://www.millertech.com)

**Pho: (910) 328-2829**  
**Fax: (910) 328-5494**  
**Email: [info@millertech.com](mailto:info@millertech.com)**